



Steel Strong, User Friendly

SAFETY MANUAL



WARNING: To reduce the risk of injury, the user must read and understand the safety manual before using this product.

Read all safety warnings and all instructions. Failure to follow the warnings and instructions may result in injury.

Save all warnings and instructions for future reference. Refer to them frequently and use them to instruct others who may use this product. If you loan, sell, or otherwise provide this product to somebody else, provide them these instructions also.

For instructions on how to properly install and use your Oops Clamps please go to: www.suckitdustboot.com

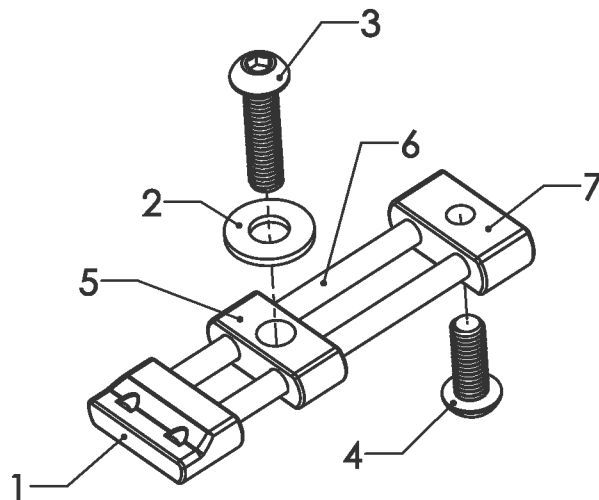


WARNING: Do not use this product if it is not completely assembled or if any parts appear to be missing or damaged. Use of a product that is not properly and completely assembled or with damaged or missing parts could result in serious personal injury.

Anatomy of an Oops Clamp

1. Replaceable Oops tip
2. Load spreading washer (M6 or 1/4-20)
3. M6 or 1/4-20 Screw
4. Jack Screw M6
5. Slide connector
6. High strength pins
7. Jack Screw mount ***Always use M6**

NOTE: All hardware is standard off the shelf M6 or 1/4-20. Different lengths can be easily acquired at your local hardware store. You may also remove slide connector to use larger hardware



PERSONAL SAFETY

Use of Oops Clamps for operations different from those intended could result in a hazardous situation.

To prevent against potential injuries and structural failures, Oops Clamps should not be used for other than its intended purpose.

Please regularly inspect Oops Clamps for loose, missing, fatigued, cracked or broken parts. If Oops Clamps appear to be damaged, immediately remove from service to be replaced or repaired. Failure to follow these warnings could result in serious injury.

Stay alert, watch what you are doing and use common sense when installing and using Oops Clamps.

WORK AREA SAFETY

Keep work area clean and well lit. Cluttered or dark areas can lead to accidents.

Keep children and bystanders away while operating your machine. Distractions can cause you to lose control.

If any parts are damaged or missing, please contact us for replacement parts at:

info@suckitdustboot.com

SAFETY MANUAL continued...

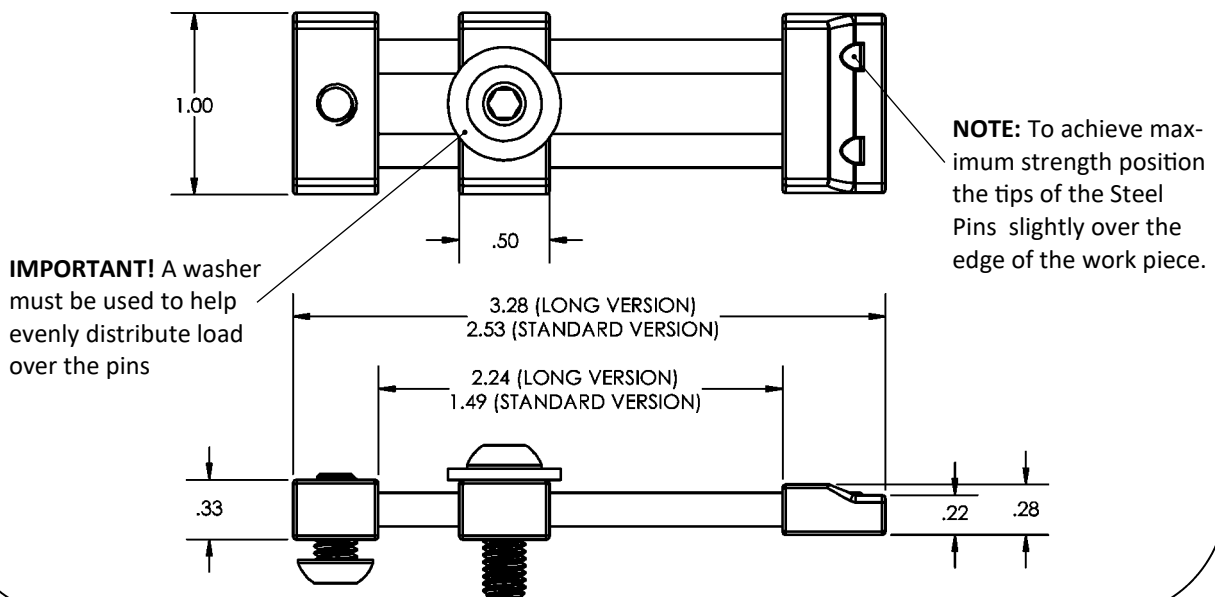
Operation:

When clamping your parts down, the back end of the clamp (the end with the jack screw) should be slightly **higher** than your material. If the back is not higher than your material, the downward pressure you create will be pushing more on the back of the clamp than on the material!



WARNING: Never use an Oops Clamp if any parts are cracked, broken or show signs of fatigue, or if any parts are loose or missing. If an Oops Clamp appears to be damaged, immediately remove from service. Failure to follow these warning could result in serious injury.

Important Info:



For further instructions on how to properly assemble and install Oops Clamps please go to the "Assembly Tips and Tricks" section on our website as well as our YouTube channel.

<https://www.suckitdustboot.com/assembly-tips-tricks>



Oops Clamp Customer Service is available by email, Monday through Friday from 8:30am to 5:00pm, EST.

Web: www.suckitdustboot.com